

PIR
AS083-SS1

IC

AS083-SS1 CMOS PIR Passive Infra-Red  
Mixed-mode  
AS083-SS1 PIR

PIR

PIR

SOP8

RoHS

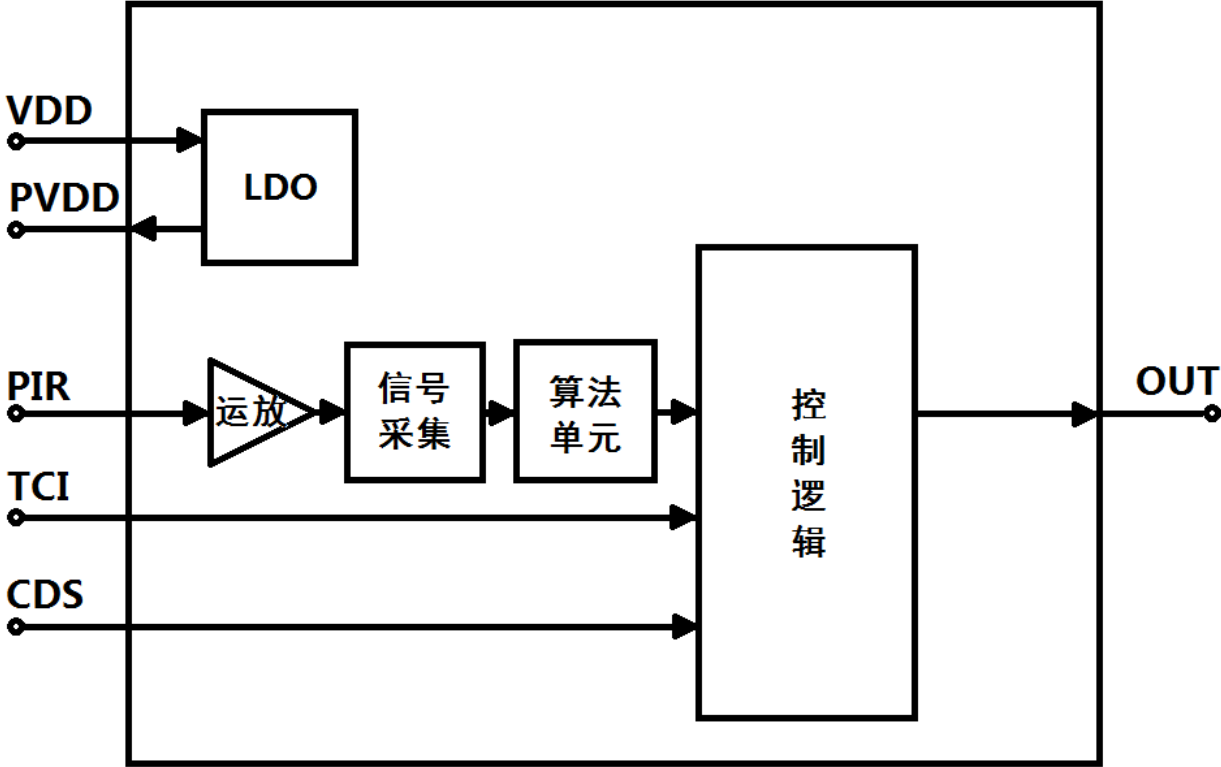
SONY SS-00259 Apple

069-1857 Dell A00-00

PIR
AS083-SS1

IC

IC



AS083 SOP8

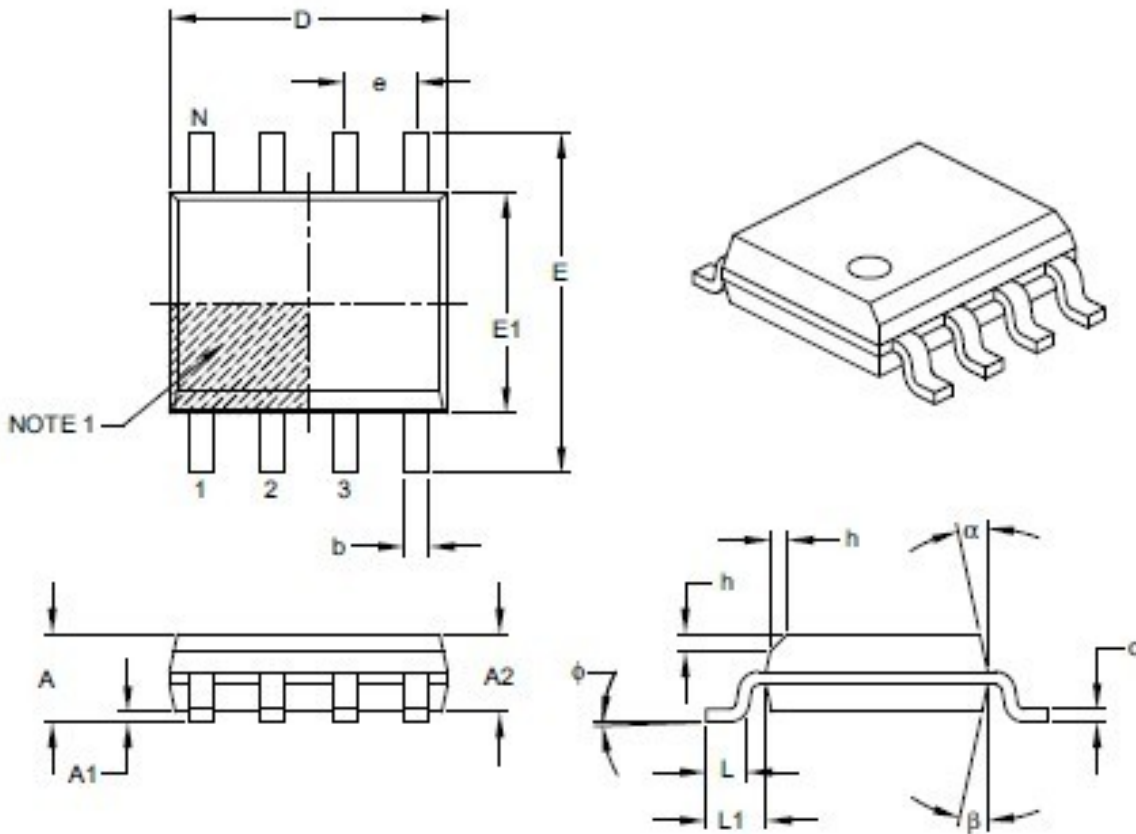




PIR
AS083-SS1

IC

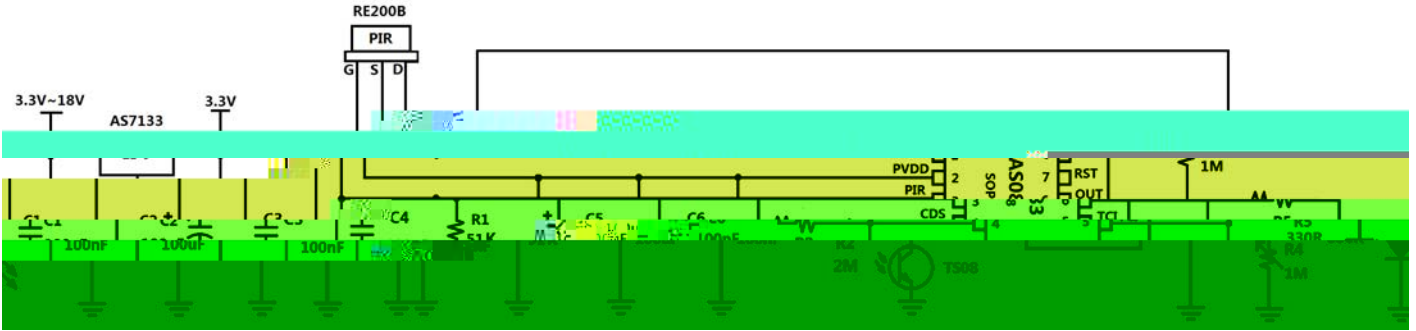
SOP8



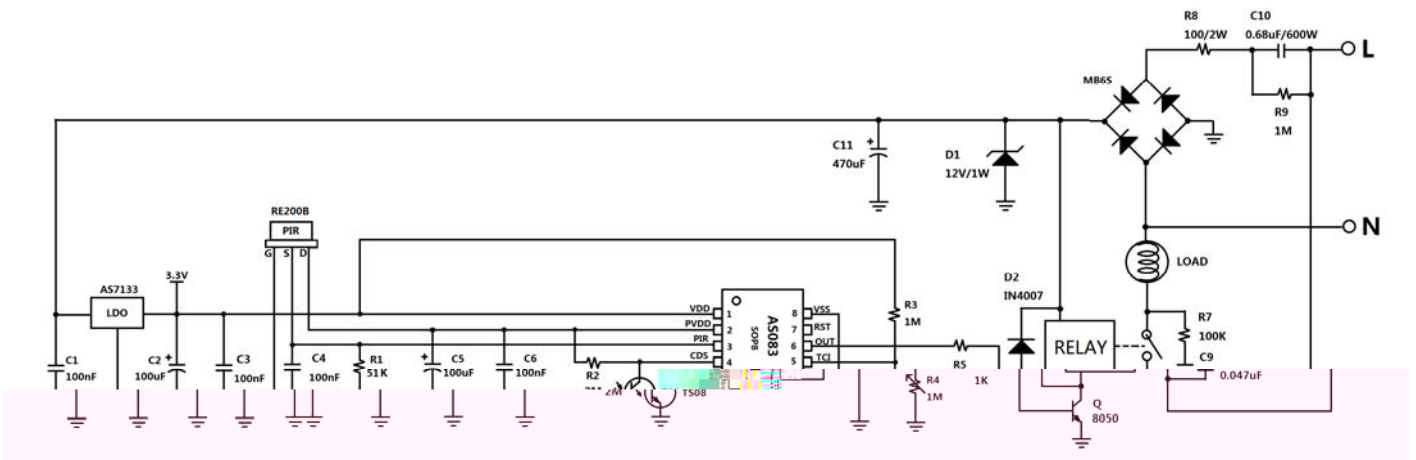
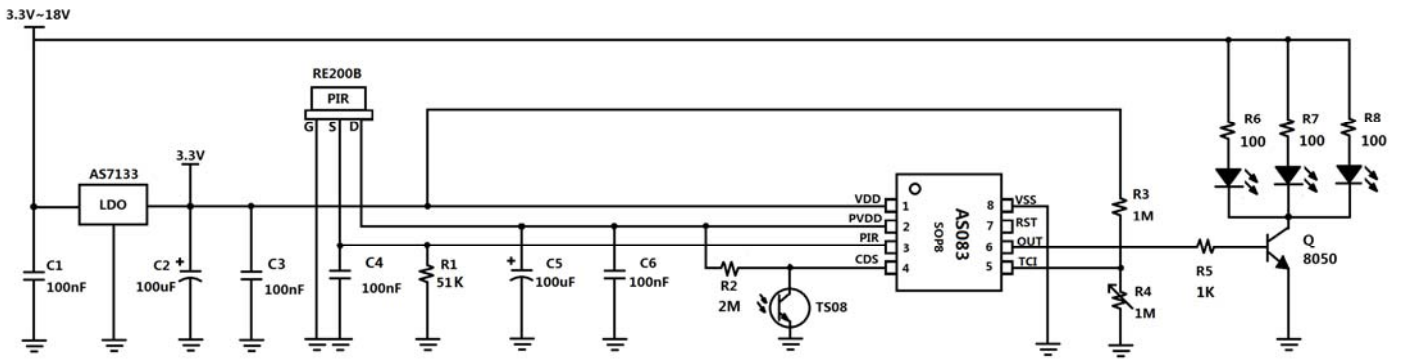
Dimension Limits	Units	MILLIMETERS		
		MIN	NOM	MAX
Number of Pins	N	8		
Pitch	e	1.27 BSC		
Overall Height	A	-	-	1.75
Molded Package Thickness	A2	1.25	-	-
Standoff $\S$	A1	0.10	-	0.25
Overall Width	E	6.00 BSC		
Molded Package Width	E1	3.90 BSC		
Overall Length	D	4.90 BSC		
Chamfer (optional)	h	0.25	-	0.50
Foot Length	L	0.40	-	1.27
Footprint	L1	1.04 REF		
Foot Angle	$\phi$	0°	-	8°
Lead Thickness	c	0.17	-	0.25
Lead Width	b	0.31	-	0.51
Mold Draft Angle Top	$\alpha$	5°	-	15°
Mold Draft Angle Bottom	$\beta$	5°	-	15°

PIR
AS083-SS1

IC



LED

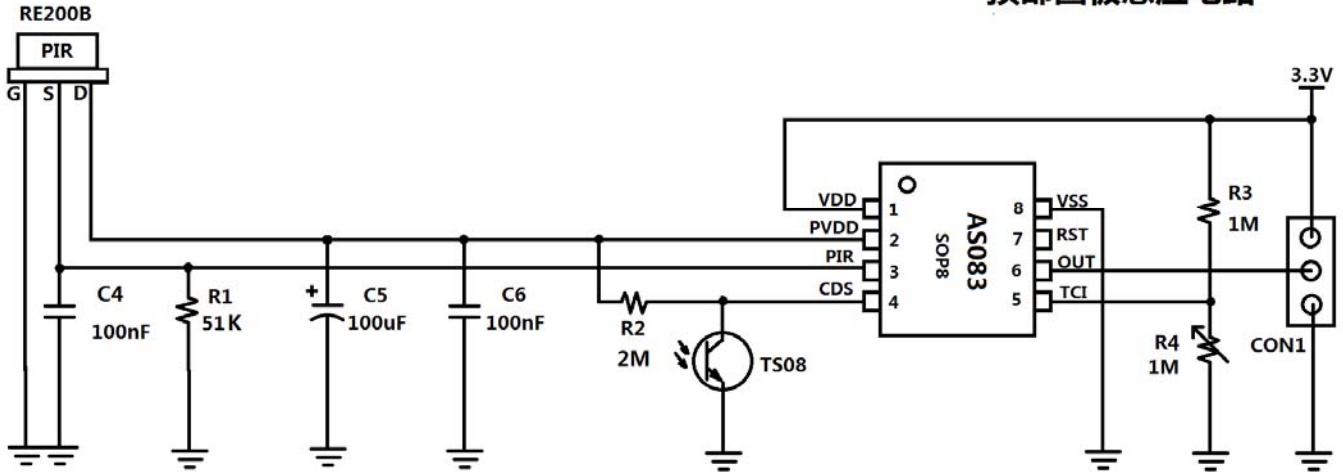


PIR
AS083-SS1

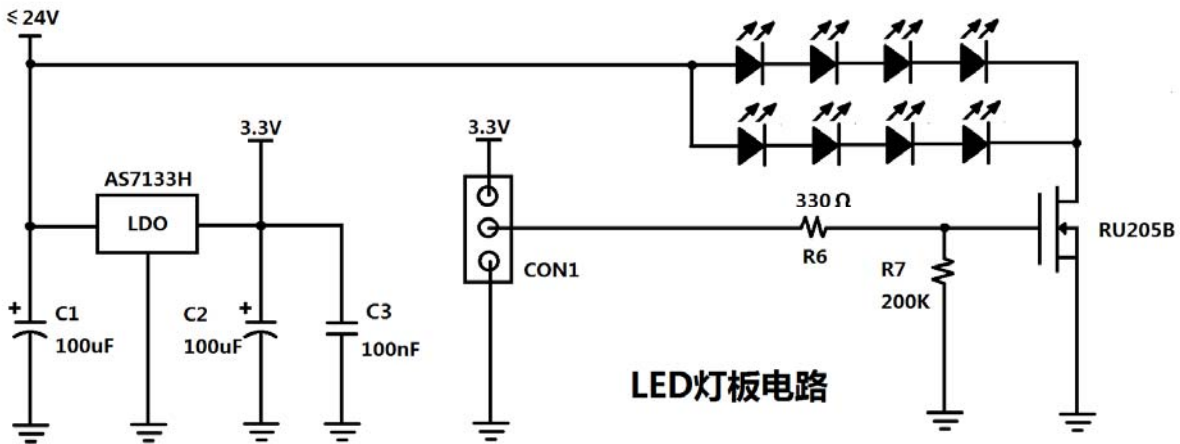
IC

LED

顶部圆板感应电路



LED灯板电路



PIR
AS083-SS1

IC

**R4**

**12**

R4	
2M	1
1M	5
910K	10
820K	15
750K	20
680K	30
560K	45
470K	60