



ASCHIP

深圳市全智芯科技有限公司  
SHENZHEN ASCHIP TECHNOLOGY LTD.

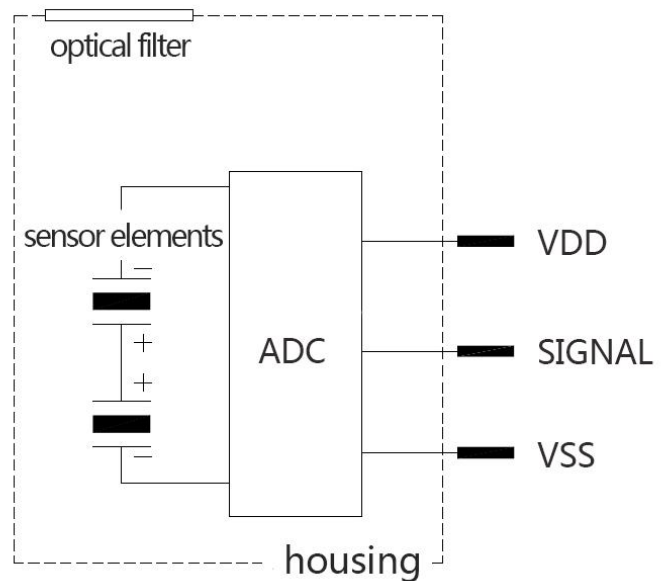
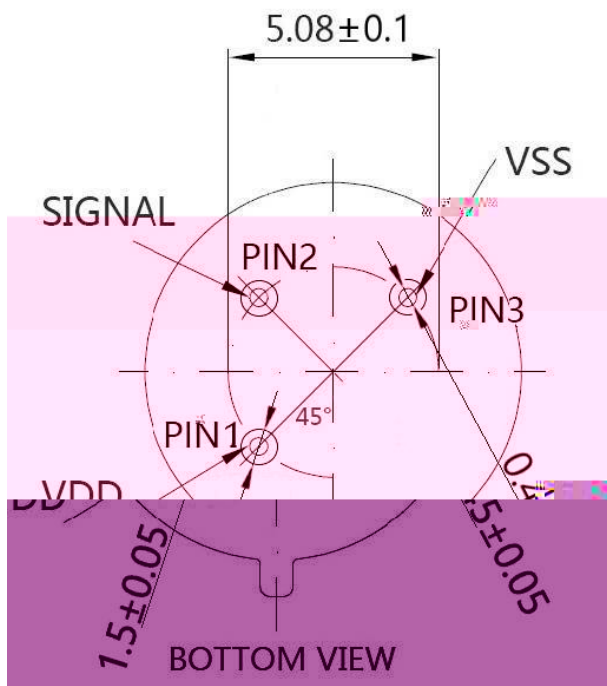
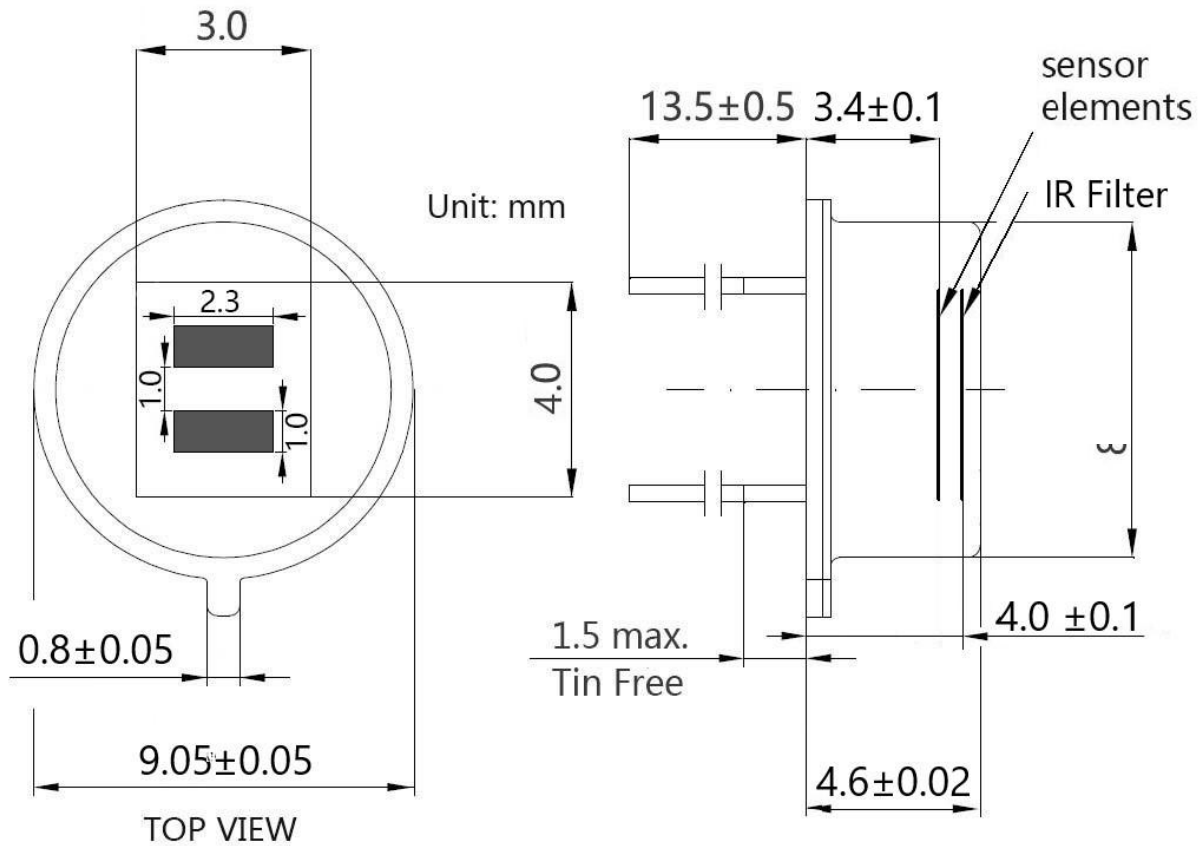

Pyroelectric Infrared Sensor

---

■



**Pyroelectric Infrared Sensor**

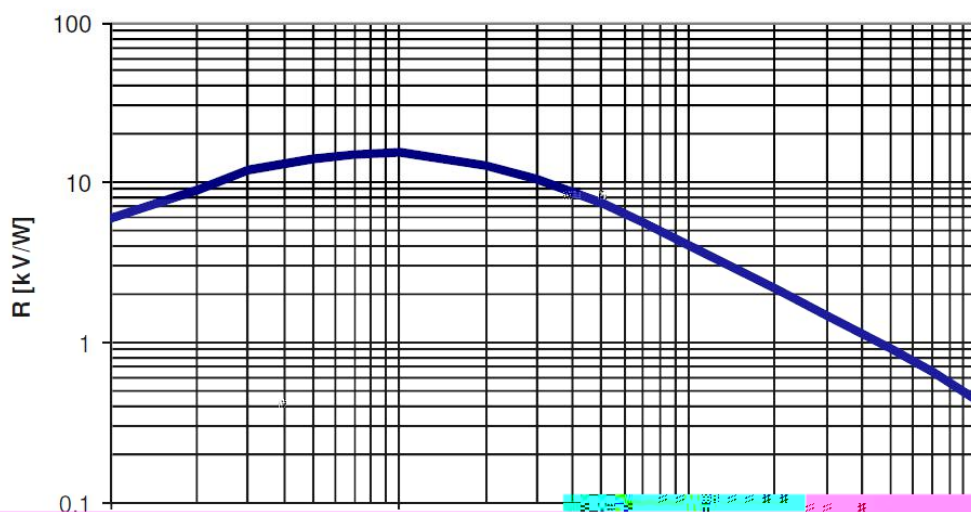



**Pyroelectric Infrared Sensor**

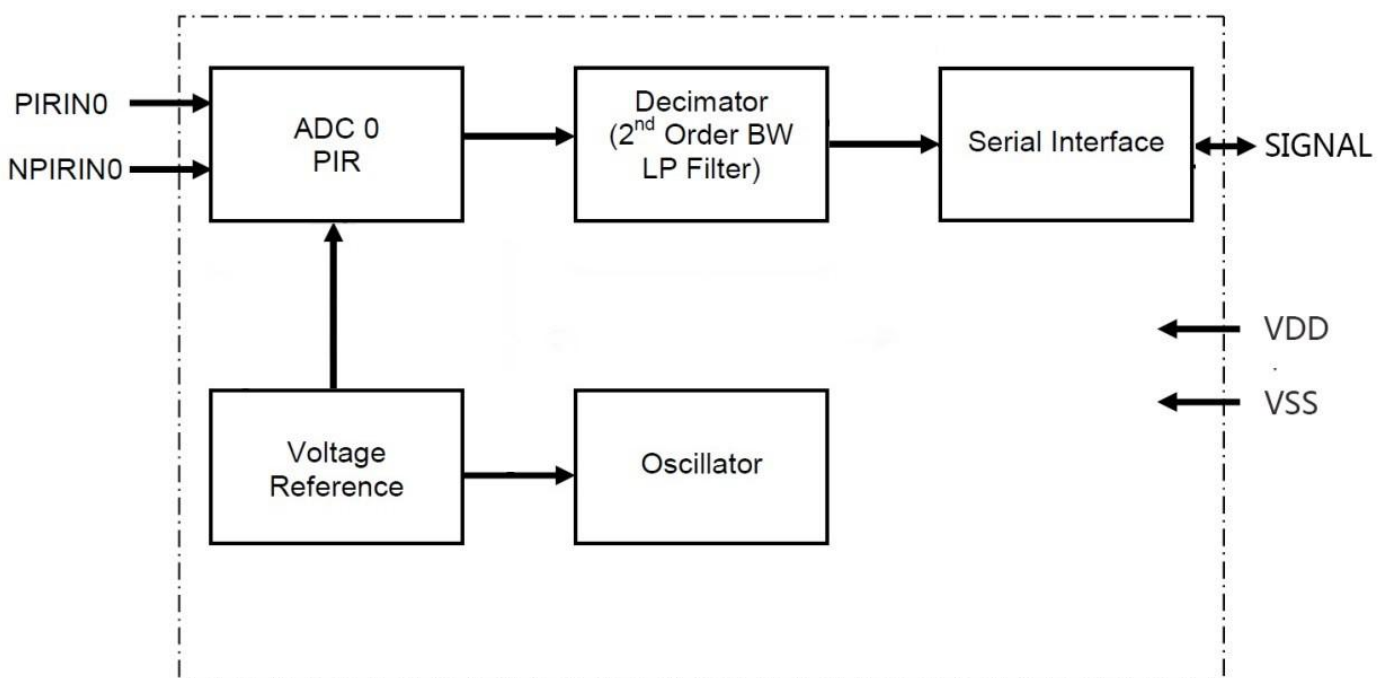
1	VDD	
2	SIGNAL	
3	VSS	

				V	
				μA	
				μVp-p	~

**0.4 Hz~7.0Hz**




**Pyroelectric Infrared Sensor**


## Pyroelectric Infrared Sensor

